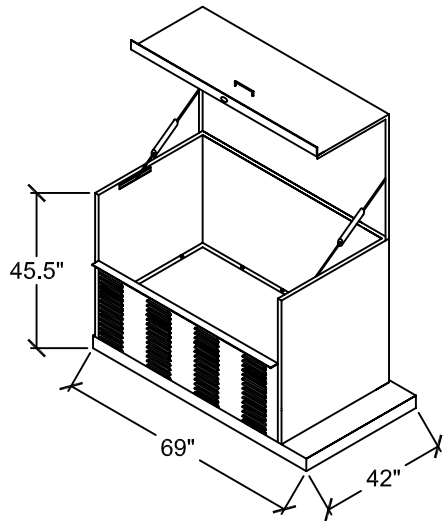
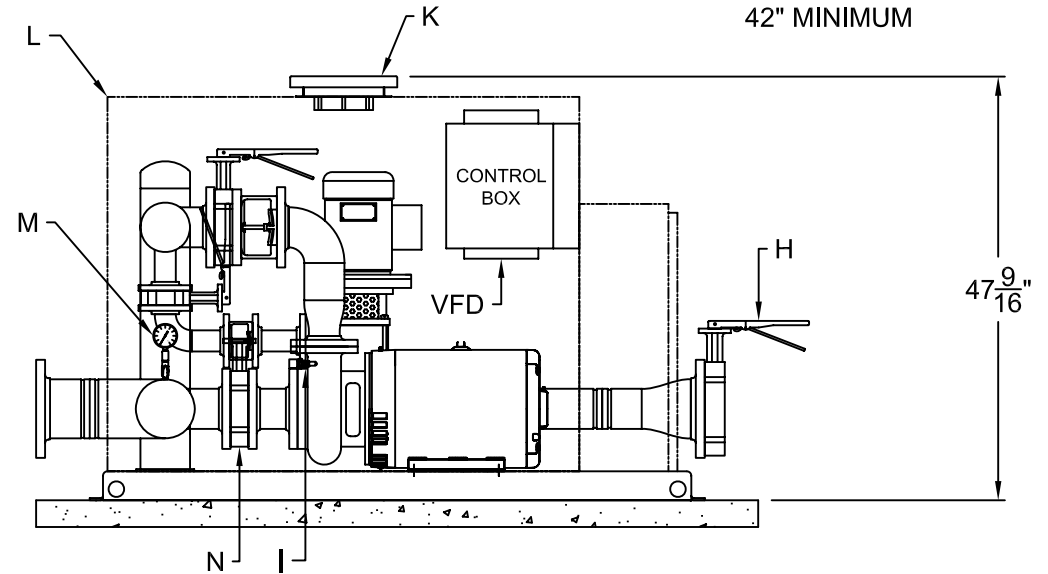
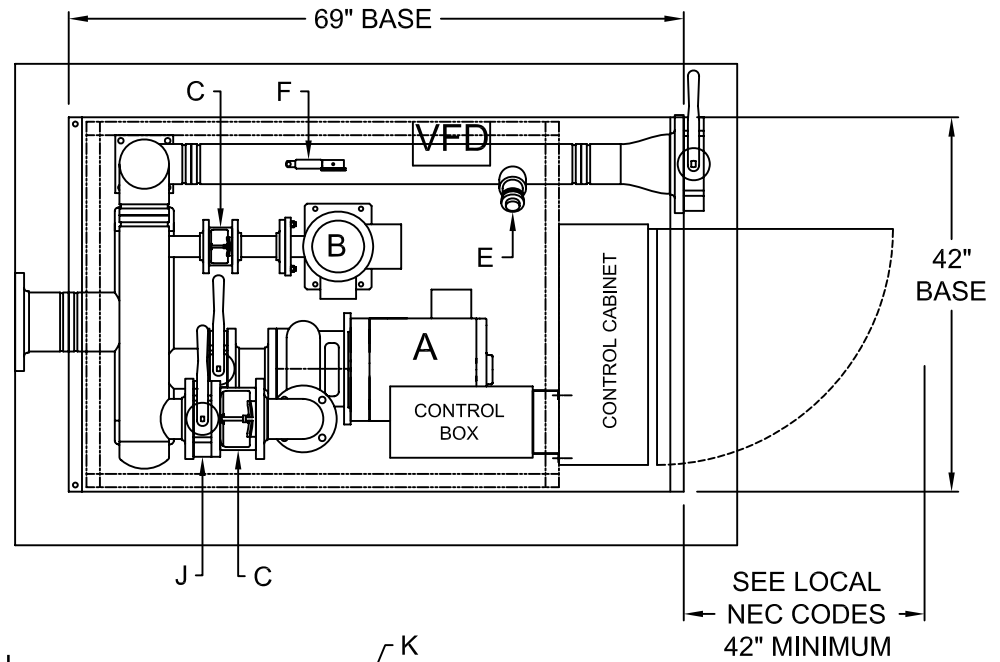


STATION COMPONENTS:

- A PUMP AND MOTOR
- B VC SUSTAIN
- C CHECK VALVE
- D VFD
- E FLOW SENSOR
- F PRESSURE TRANSDUCER WITH GAUGE
- G n/a
- H STATION DISCHARGE ISOLATION VALVE
- I TEMP SENSOR
- J PUMP DISCHARGE ISOLATION VALVE
- K STATION FAN HOOD MOUNTED
- L PAINTED STEEL ENCLOSURE
- M PRESSURE GAUGE LIQUID FILLED
- N PUMP INTAKE ISOLATION VALVE



CUSTOMER APPROVAL SIGNATURE		7			
		6			
		5			
		4			
<input type="checkbox"/> APPROVED AS SUBMITTED		3			
<input type="checkbox"/> MAKE INDICATED CHANGES AND RESUBMIT		2			
		1	-	-	-
		NO.	DATE	BY	DESCRIPTION

7			
6			
5			
4			
3			
2			
1	-	-	-
NO.	DATE	BY	DESCRIPTION

SCALE: NONE DRWN BY: MJW

THIS DRAWING AND DESIGN, IS THE PROPERTY OF WATERTRONICS AND IS NOT TO BE REPRODUCED IN WHOLE OR PART, NOR EMPLOYED FOR ANY PURPOSE OTHER THAN SPECIFICALLY PERMITTED IN WRITING BY WATERTRONICS. THIS DRAWING LOANED AND SUBJECT TO RETURN ON DEMAND

TITLE: STANDARD SST SSTBV

WATERTRONICS
ELECTRONICALLY CONTROLLED PUMPING SYSTEMS
HARTLAND, WISCONSIN

DATE: 6/17/04 SHEET 1 OF 1 SHEETS
JOB NO.: JOB-NO: DRAWING NO. PRST