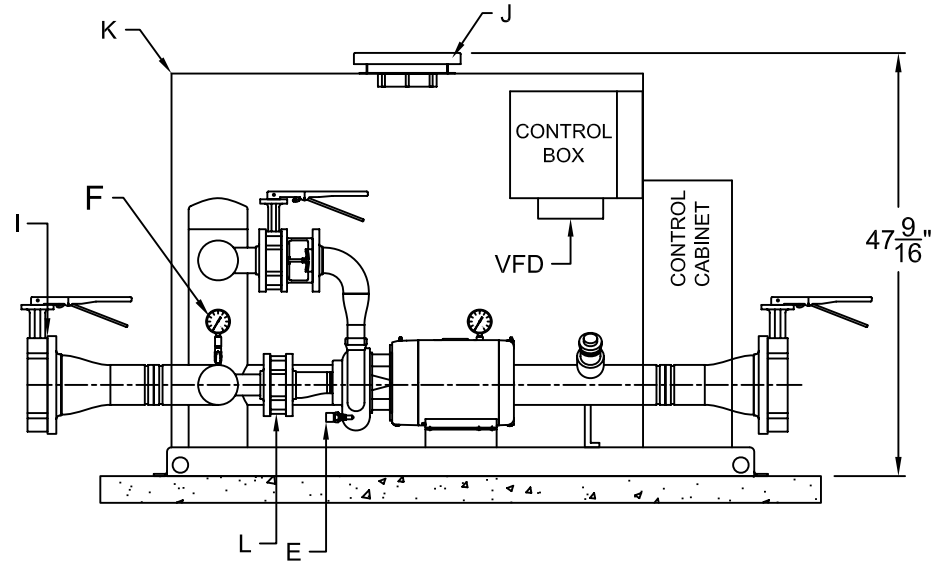
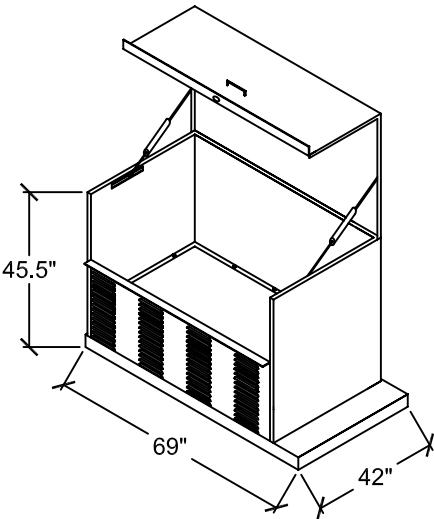
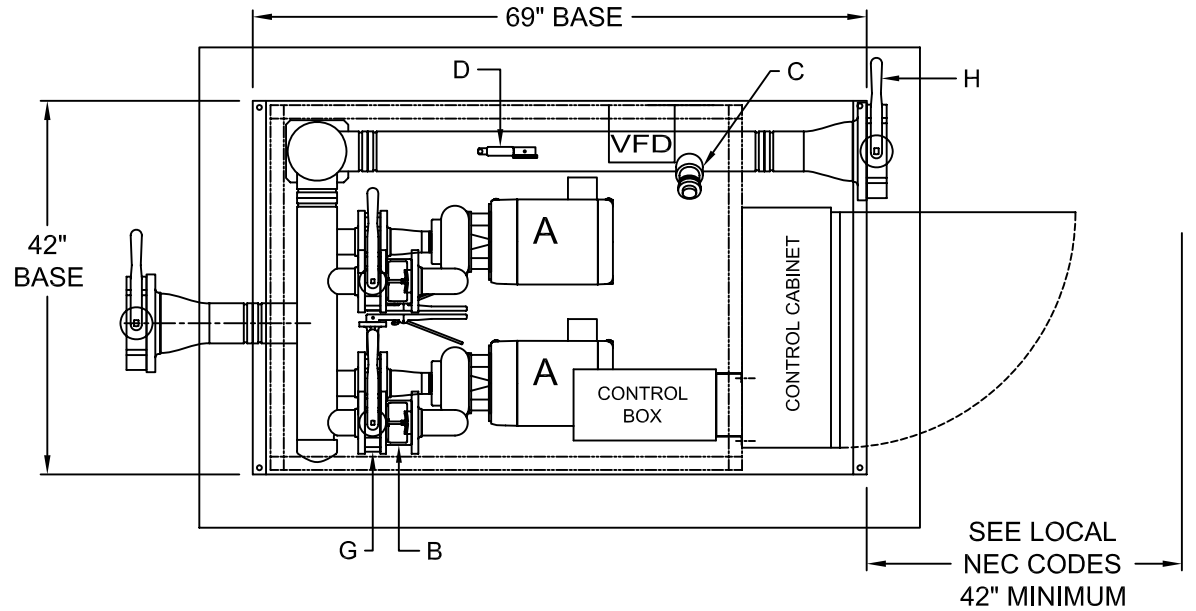


STATION COMPONENTS:

- A PUMP AND MOTOR
- B CHECK VALVE
- C FLOW SENSOR
- D PRESSURE TRANSDUCER WITH GAUGE
- E TEMP SENSOR
- F PRESSURE GAUGE LIQUID FILLED
- G PUMP DISCHARGE ISOLATION VALVE
- H STATION DISCHARGE ISOLATION VALVE
- I STATION INTAKE ISOLATION VALVE
- J STATION FAN HOOD MOUNTED
- K PAINTED STEEL ENCLOSURE
- L PUMP INTAKE ISOLATION VALVE



CUSTOMER APPROVAL SIGNATURE

7			
6			
5			
4			
3			
2			
1	-	-	-
NO.	DATE	BY	DESCRIPTION

- APPROVED AS SUBMITTED
- MAKE INDICATED CHANGES AND RESUBMIT

SCALE: NONE DRWN BY: MJW

THIS DRAWING AND DESIGN, IS THE PROPERTY OF WATERTRONICS AND IS NOT TO BE REPRODUCED IN WHOLE OR PART, NOR EMPLOYED FOR ANY PURPOSE OTHER THAN SPECIFICALLY PERMITTED IN WRITING BY WATERTRONICS. THIS DRAWING LOANED AND SUBJECT TO RETURN ON DEMAND

TITLE:

STANDARD SST
SSTBV

WATERTRONICS

ELECTRONICALLY CONTROLLED PUMPING SYSTEMS
HARTLAND, WISCONSIN

DATE: 6/17/04 SHEET 1 OF 1 SHEETS
JOB NO.: JOB-NO: DRAWING NO. PRST