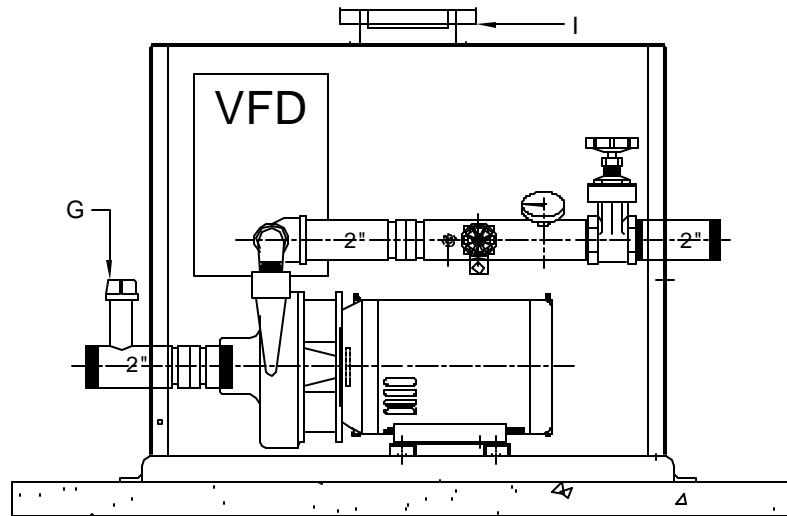
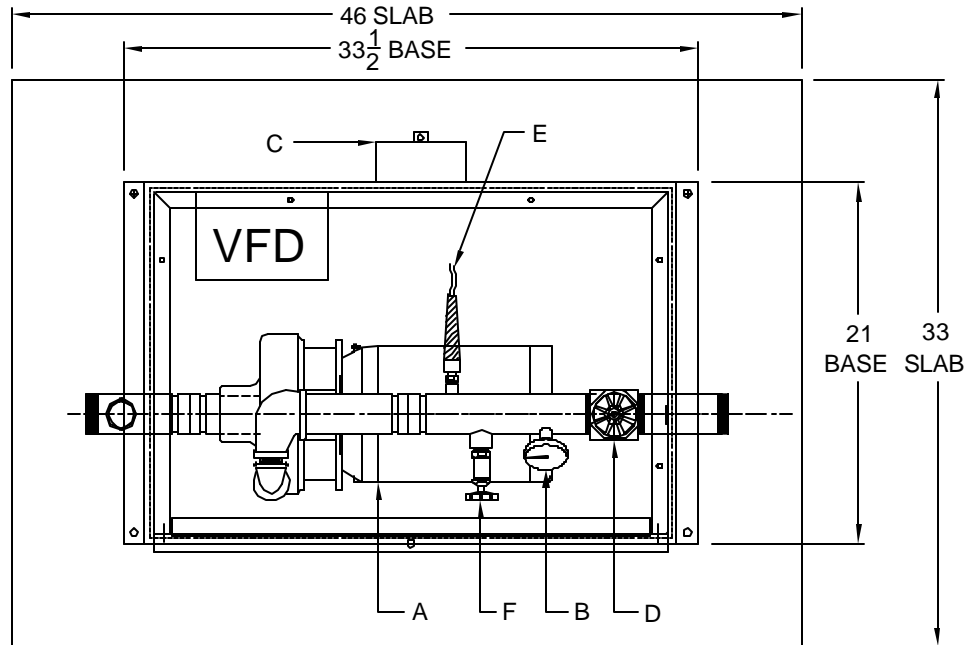


STATION COMPONENTS:

- A PUMP AND MOTOR
- B PRESSURE GAUGE
- C DISCONNECT BOX
- D STATION DISCHARGE ISOLATION VALVE
- E PRESSURE TRANSDUCER
- F HOSE BIB
- G FILL PORT
- H N/A
- I STATION FAN HOOD MOUNTED



CUSTOMER APPROVAL SIGNATURE <input type="checkbox"/> APPROVED AS SUBMITTED <input type="checkbox"/> MAKE INDICATED CHANGES AND RESUBMIT	7				SCALE: NONE DRAWN BY: MJW THIS DRAWING AND DESIGN IS THE PROPERTY OF WATERTRONICS AND IS NOT TO BE REPRODUCED IN WHOLE OR PART, NOR EMPLOYED FOR ANY PURPOSE OTHER THAN SPECIFICALLY PERMITTED IN WRITING BY WATERTRONICS. THIS DRAWING LOANED AND SUBJECT TO RETURN ON DEMAND	TITLE: RLT STANDARD WATERTRONICS <small>ELECTRONICALLY CONTROLLED PUMPING SYSTEMS HARTLAND, WISCONSIN</small>
	6					
	5					
	4					
	3					
	2					
	1	9/23/04	MJW	REMOVE TANK - JIM C.		
NO.	DATE	BY	DESCRIPTION	DATE: 3/17/04 SHEET 1 OF 1 SHEETS	JOB NO.: JOB-NO: DRAWING NO. DRAW-NO:	