

# Lake Level Controls

## Repeatability to a Fraction of an Inch

### Easy to adjust on your screen and not inside the well

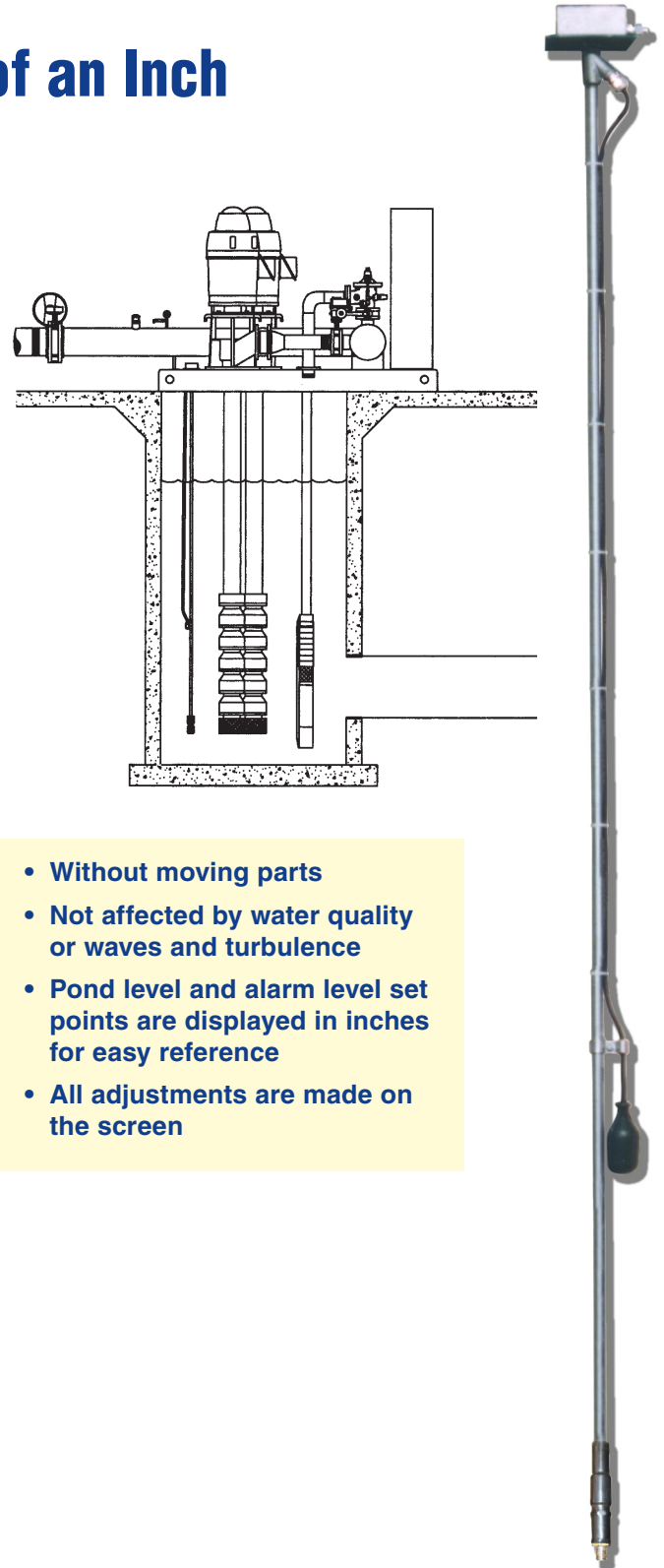
Unlike traditional floats or probes which may be difficult to adjust, the Watertronics Lake Level Control activation level can be simply adjusted by the operator on the screen. They are managed by either Watervision® on the PC or via VirtualVision™ TouchScreen operator interface. Reservoir and set-point levels are displayed in inches.

### Accurate repeatability

Watertronics' rugged stainless steel wet well level transducer is unaffected by the water quality and provides repeatability down to a fraction of an inch.

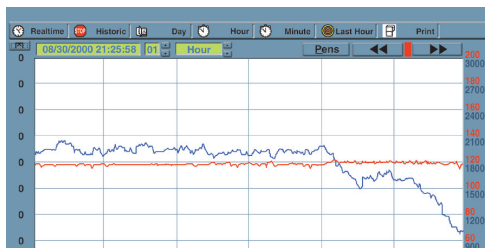
### Why it works so great

The wet well is continuously monitored by an electronic pressure transducer, which will send a signal to the station's PLC. When the LOW (set point) level has been maintained for the pre-set period of time, a signal is sent to the pump station to activate a fill pump or a valve. Upon a rise in the reservoir level the signal will stop the filling operation. The lake level wire terminal connections is located in a J-box on the control panel exterior.



- Without moving parts
- Not affected by water quality or waves and turbulence
- Pond level and alarm level set points are displayed in inches for easy reference
- All adjustments are made on the screen

Pond level plot vs. time as viewed by Watervision remote monitoring software



POND FILL AUTO FUNCTION DISABLED	Level Inches	120 PSI
	Set Point	2450 GPM
FORCE ON POND FILL REGARDLESS OF LEVEL	Alarm	Back
	Window	
POND FILL OFF		

VirtualVision™ II TouchScreen showing pond level and control set points