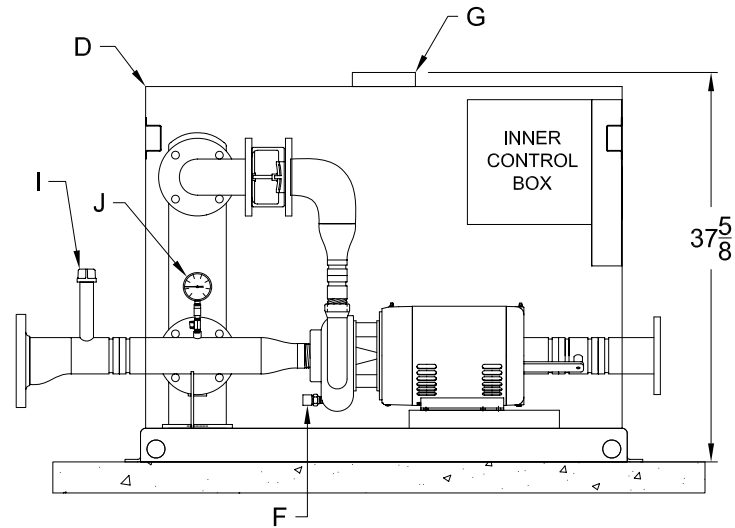
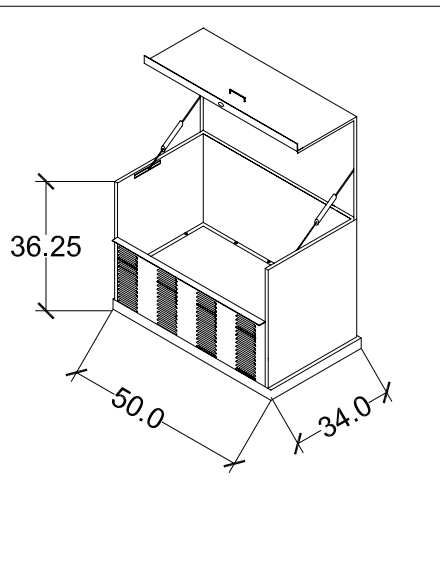
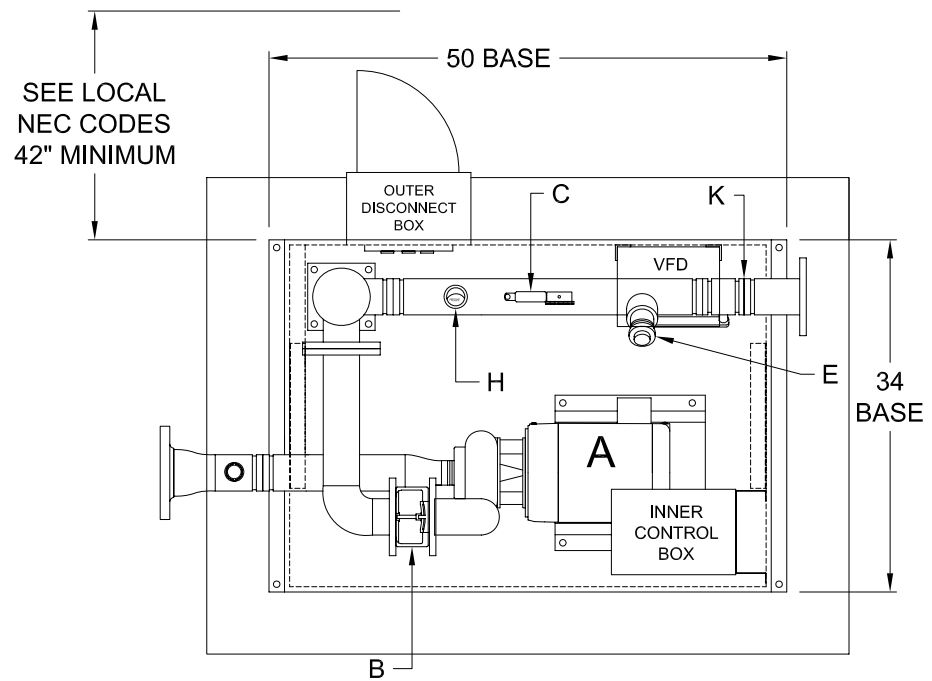


STATION COMPONENTS:

- A PUMP AND MOTOR
- B CHECK VALVE
- C PRESSURE TRANSDUCER WITH GAUGE
- D PAINTED STEEL ENCLOSURE
- E FLOW SENSOR
- F TEMP SENSOR
- G STATION FAN HOOD MOUNTED
- H PRESSURE SWITCH
- I 1" FILL PORT
- J PRESSURE GAUGE LIQUID FILLED
- K STATION DISCHARGE ISOLATION VALVE



CUSTOMER APPROVAL SIGNATURE

APPROVED AS SUBMITTED

MAKE INDICATED CHANGES AND RESUBMIT

7			
6			
5			
4			
3			
2			
1	--/--/--	--	REVISION-NOTE:
NO.	DATE	BY	DESCRIPTION

SCALE: NONE DRWN BY: MJW

THIS DRAWING AND DESIGN, IS THE PROPERTY OF WATERTRONICS AND IS NOT TO BE REPRODUCED IN WHOLE OR PART, NOR EMPLOYED FOR ANY PURPOSE OTHER THAN SPECIFICALLY PERMITTED IN WRITING BY WATERTRONICS. THIS DRAWING LOANED AND SUBJECT TO RETURN ON DEMAND

TITLE: STANDARD LSTV SUCTION LIFT

WATERTRONICS
ELECTRONICALLY CONTROLLED PUMPING SYSTEMS
HARTLAND, WISCONSIN

DATE: 6/17/04 SHEET 1 OF 1 SHEETS

JOB NO.: JOB-NO: DRAWING NO. PRST