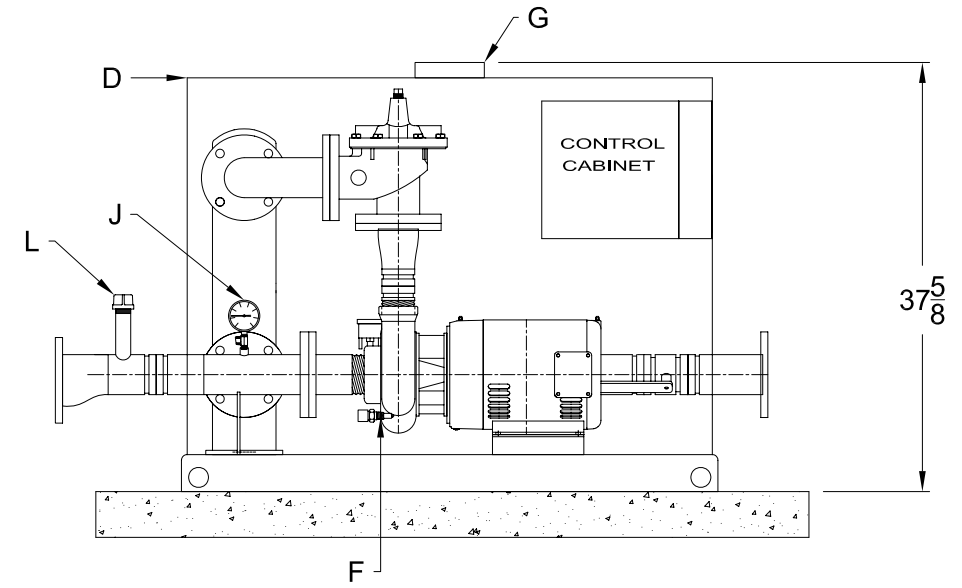
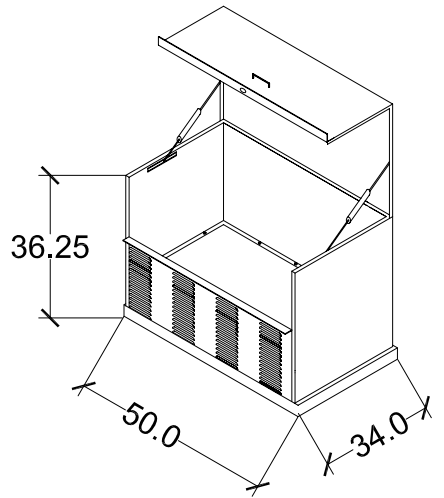
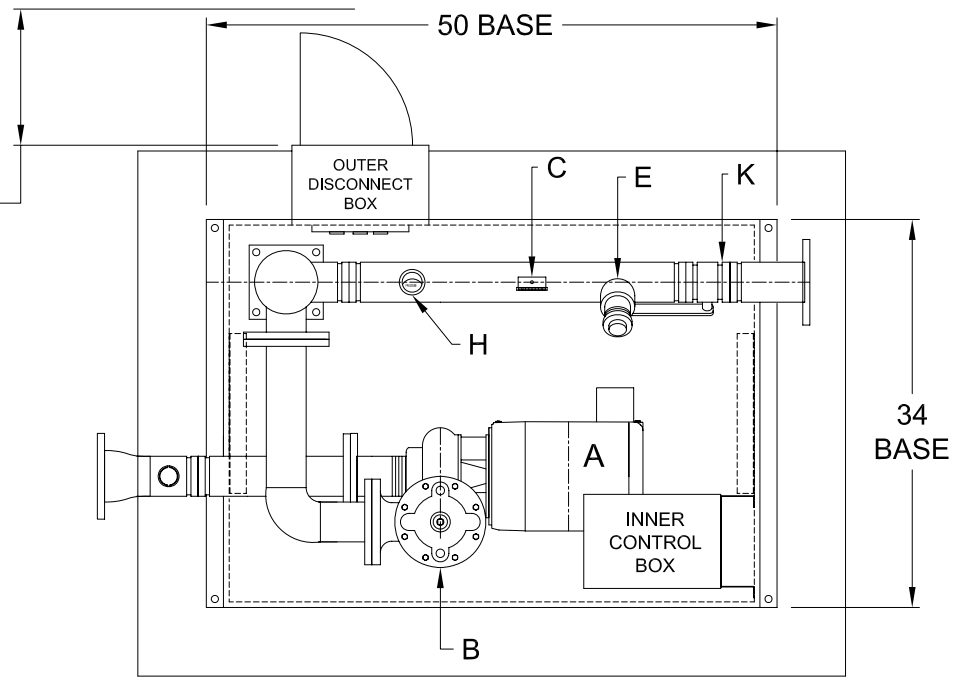


STATION COMPONENTS:

- A PUMP AND MOTOR
- B PRESSURE REDUCING VALVE
- C PRESSURE GAUGE LIQUID FILLED
- D PAINTED STEEL ENLCOSURE
- E FLOW SENSOR
- F TEMP SENSOR
- G STATION FAN HOOD MOUNTED
- H PRESSURE SWITCH
- I DRAIN VALVE
- J PRESSURE GAUGE
- K STATION DISCHARGE ISOLATION VALVE
- L 1" FILL PORT

SEE LOCAL
NEC CODES
42" MINIMUM



CUSTOMER APPROVAL SIGNATURE		7			
		6			
		5			
		4			
		3			
		2			
		1	--/--/--	--	REVISION-NOTE:
		NO.	DATE	BY	DESCRIPTION

- APPROVED AS SUBMITTED
- MAKE INDICATED CHANGES AND RESUBMIT

SCALE: NONE DRWN BY: MJW

THIS DRAWING AND DESIGN, IS THE PROPERTY OF WATERTRONICS AND IS NOT TO BE REPRODUCED IN WHOLE OR PART, NOR EMPLOYED FOR ANY PURPOSE OTHER THAN SPECIFICALLY PERMITTED IN WRITING BY WATERTRONICS. THIS DRAWING LOANED AND SUBJECT TO RETURN ON DEMAND

TITLE: STANDARD LST
SUCTION LIFT

WATERTRONICS
ELECTRONICALLY CONTROLLED PUMPING SYSTEMS
HARTLAND, WISCONSIN

DATE: 6/23/04	SHEET 1 OF 1 SHEETS
JOB NO.:	JOB-NO: DRAWING NO. PRST